

**CLAROFLEX® PIVOT CONFIGURATIONS**

**TWO SIDES OPENING:**  
Both right and left.

**OUTSIDE OPENING:**  
Top and bottom locks can be installed inside or outside.

**FIXED FRAMELESS DOOR WITH FLOOR SPRING:**  
The rest of the panels are stacked on the other side.

**SYSTEM WITH DIFFERENT CORNERS:**  
All the panels move through the corners and are stacked on one side.

**ONE SIDE OPENING:**  
Left or right. The maximum number of panels that can be stacked on a single side is 18.

**SYSTEM WITH 90° CORNERS:**  
All the panels move through the corners and are stacked on one side.

**SYSTEM WITH CORNERS LARGER THAN 90°:**  
All the panels move through the corners and are stacked on one side.

**FIXED DOOR WITH FLOOR SPRING AND TOP FRAME:**  
The rest of the panels are stacked on the other side.



**Fenestram Corporation**  
69A Kundiman Street, Brgy. Paltok,  
San Francisco Del Monte, Quezon City  
Philippines 1105  
marketing@fenestramcorp.com.ph  
www.fenestramcorp.com.ph  
**0917-182-uPVC**  
(8 7 8 2)

**CLAROFLEX®**  
info@claroflex.com · www.claroflex.com

**CLAROFLEX®**

**Fenestram™**  
CORPORATION



Like Us!

**OPEN TO THE WORLD**

WWW.CLAROFLEX.COM



## CLAROFLEX® PIVOT GLAZING SYSTEM ADVANTAGES

The system is a continuous, almost imperceptible, glass surface. The absence of vertical frames creates an effect of clear panoramic view.

The system is manufactured in Europe and has passed all the necessary tests and certifications.

The system transmits the weight to the floor providing enhanced stability and safety as the glass panels are not suspended from the top track unlike other systems.

According to the results of tests in independent laboratories, CLAROFLEX® PIVOT is the most air-tight and waterproof system on the market.

The system operates on the principle of sliding: the panels glide smoothly over a special sliding surface. The system does not need bearings or rollers, so maintenance is almost inexistent.

With our Sliding Door, you can turn a panel into a secondary door, providing an independent access anywhere in the system, without the need to use the ends's doors.

Inside or outside opening configuration from both sides is possible, depending on your needs. You can also select the end where the panels will be stacked.

The system can be easily levelled to compensate the unevenness of the construction. Just by using the top and bottom levelling tracks, you will have 68 mm of regulation.



SYSTEM WITH ALL PANELS IN CLOSED POSITION



SYSTEM WITH ALL PANELS IN OPEN POSITION



SYSTEM WITH ALL PANELS IN CLOSED POSITION

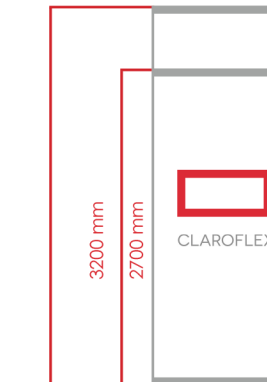


SYSTEM WITH ALL PANELS IN CLOSED POSITION



SYSTEM WITH ALL PANELS IN OPEN POSITION

## CLAROFLEX® PIVOT SYSTEM FEATURES

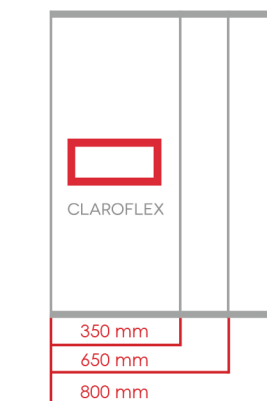


### SYSTEM HEIGHT:

Maximum system height with 8 mm glass is 2700 mm.

Maximum system height with 10 mm glass is 3200 mm.

Maximum system height with 12 mm glass is 3200 mm.

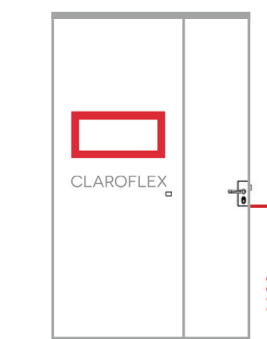


### PANEL WIDTH:

Recommended width: 650 mm.

Maximum panel width: 800 mm.

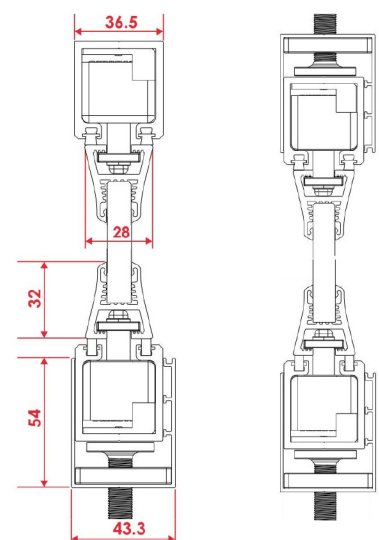
Minimum panel width: 350 mm.



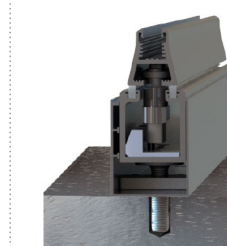
### INSTALLATION OF DOOR COMPONENTS:

Locks are usually set at 1100 mm from the floor.

## STANDARD SYSTEM WITH BOTTOM LEVELLING TRACK

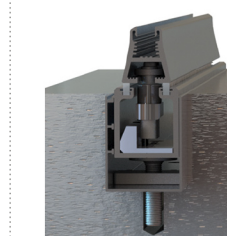


## SYSTEM FLOOR FINISHES



### SYSTEM INSTALLED OVER THE FLOOR

The ensemble of both the levelling profile and bottom track is only 54 mm high and it is installed over the finished floor.



### RECESSED SYSTEM

The ensemble of both the levelling profile and bottom track is only 54 mm high and it is embedded in the floor, previously adapted for this purpose.